

Barrier washer extractor

WB4130H, WB4180H

Features and benefits

- Loading door either on the right or left hand side of the barrier washer
- Large loading and unloading door for fast and easy operations
- **Compass Control® with:**
 - Large display and one dial for easy program selection
 - Language selection
 - Two Quick Start buttons for frequently used wash programs
- Perforated inner drum lifters for improved washing efficiency
- Prepared in standard for automatic detergent supply
- Suspended machines to be installed without any foundations
- High extraction force for efficient dewatering

Main options

- **Clarus Control® with:**
 - Fully programmable microprocessor
 - All relevant wash parameters can be programmed
 - Programming from key pad or downloading via memory card
- Third water inlet valve
- Integrated weighing system
- Titration valve for bath sampling
- Certus Management Information System (CMIS) to ensure traceability of the linen -as per RABC*** standards



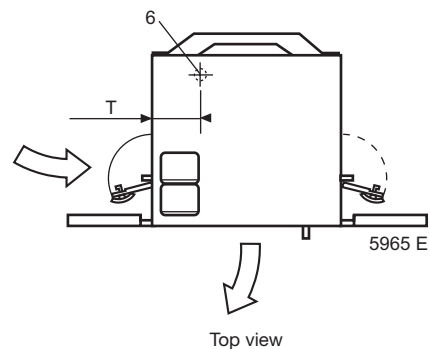
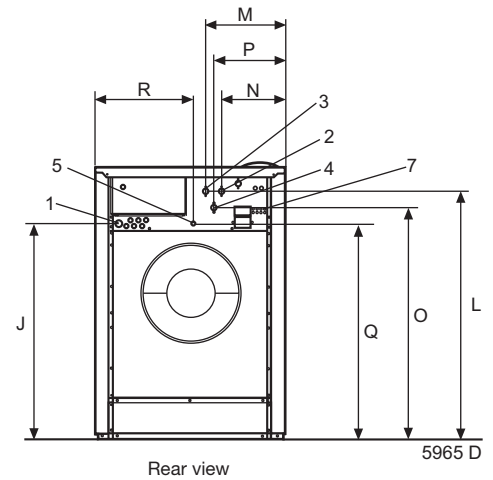
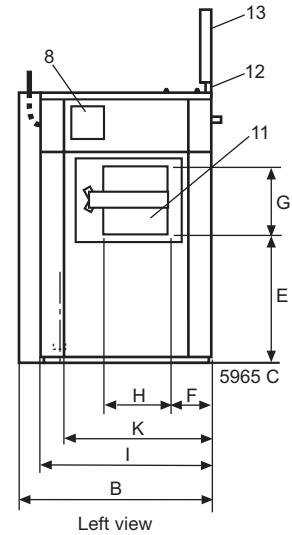
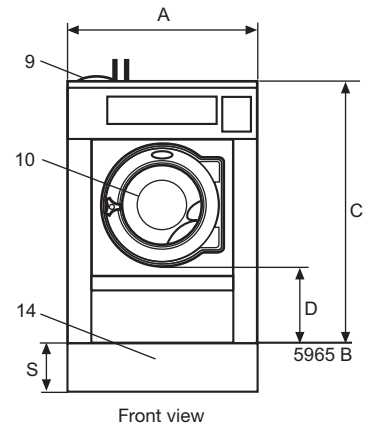
Machine with optional plinth

Main specifications			WB4130H		WB4180H	
Max. capacity		kg/lb	14/30		20/40	
Drum	volume	litre	130		180	
	diameter	ø mm	650		725	
Extraction		rpm	910		860	
G-factor			300		300	
Heating alternatives, 230/400V	electricity	kW	12.5		17.5	
	steam		x			
Consumption data "Normal 60°C"			El	Steam	El	Steam
Total time		min	47	**	45	**
Water consumption (cold/hot)		litre	133/24	133/24	124/31	124/31
Energy consumption (motor/heating)*		kWh	0.3/0.9	0.3	0.5/0.8	0.5
Steam consumption**		kg	-	1.3	-	1.2
* Water temperature 15°C cold water and 65°C hot water.						
** Depending on steam pressure.						
*** RABC, Risk Analysis and Biocontamination Control						

Certified in accordance with ISO 9001 and ISO 14001 and approved IP 24D.

Electrical connections*		WB4130H	WB4180H
Heating	Voltage		
El.	230V 3 AC 50 Hz	kW(A) 12.5(35)	17.5(50)
	240V 3AC 60 Hz	kW(A) 12.5(35)	17.5(50)
	400V 3N AC 50 Hz	kW(A) 12.5(20)	17.5(35)
Steam	230V 1AC 60 Hz	kW(A) 1.7(10)	2.3(16)
	240V 1AC 60 Hz	kW(A) 1.7(10)	2.3(16)
	230V 1AC 50 Hz	kW(A) 1.7(10)	2.3(16)
Water and steam connection			
Water valves	DN	20	20
Water pressure	kPa	150-400	150-400
Capacity at 300 kPa	l/min	27	60
Drain valve	ø mm	75	75
Draining capacity	l/min	150	150
Steam valve	DN	15	15
Steam pressure	kPa	300-600	300-600
Liquid detergent supplies		5	5
Floor requirements			
Frequency of the dynamic force	Hz	15.2	14.3
Max floor load at extraction	kN	3.4 ± 0.5	2.9 ± 1.0
Sound levels			
Airborne sound level	dB(A)	73	75
Heat emission			
% of installed power, max		5	5
Shipping data			
Weight	net, kg	296	356
	crated, kg	313	376
Shipping volume	m ³	1.27	1.64
Accessories			
Steel base frame		x	x
Water re-use tank (Clarus Control)		x	x
Hose connection kits for water or steam		x	x
Dimensions in mm			
A	Width	910	970
B	Depth	875	975
C	Height	1325	1410
D		435	470
E		575	610
F		200	200
G		390	390
H		345	385
I		785	870
J		1035	1120
K		702	822
L		1225	1330
M		380	395
N		300	315
O		1185	1290
P		340	340
Q		825	1120
R		455	485
S		285	200
T		304	334
1	Electrical connections	9	Soap box (optional)
2	Cold water	10	Door opening, unloading side
3	Hot water		WB4130H: ø395, WB4180H: ø435
4	Hard water	11	Door opening, loading side
5	Steam connection		WB4130H: 280x280, WB4180H: 320x280
6	Drain	12	Barrier frame
7	Liquid supply connections	13	Barrier partition
8	Compass or Clarus Control	14	Plinth (optional)

* Other voltages available, see installation manual.



Thinking of you

www.electrolux.com/laundrysystems

Share more of our thinking at www.electrolux.com

Art. No. 438903441/02.08.38
 We reserve the right to alter specifications without notice.