

CROSSOVER

In a class by itself!



*The world's first
semi-professional
washer for vended
laundries!*

*Perfect for coin
laundries and guest
laundry.*

Wascomat

CROSSOVER

Tired of losing money on toploaders and appliance front loaders? Combine Crossover with larger Wascomat machines for the most cost effective laundry equipment package.

Crossover is a revolutionary product engineered exclusively for commercial use. Washers are designed for 15,000+ cycles —more than double the life of appliance-type washers (which are made for home use).

- ✓ No oversudsing! Crossover will complete the cycle.
- ✓ CrossBalance technology keeps loads balanced.
- ✓ Built tough with top quality SKF bearings, triple seals, solid steel counterweights, and 8-point suspension system.
- ✓ Pump is standard. Easily replace old top loaders.
- ✓ All Crossover machines are soft-mount for easy installation.

Washers and dryers available in coin and card vended.
Contact Laundrylux for details on supported card systems.

WASHERS

FEATURES AND BENEFITS

- ✓ Engineered to be superior to all competitors
- ✓ 15,000+ cycle machine life design
- ✓ Large high security coin vault
- ✓ Energy Star CEE Tier 3 compliant
- ✓ 4 professional wash programs + 2 cycle options
- ✓ Field adjustable water levels + cycle
- ✓ Top quality SKF bearings in heavy duty assembly
- ✓ 3 seals (with 5 lips) protect bearings
- ✓ AC motor (no brushes)
- ✓ Professional 8-point suspension
- ✓ Pump drain standard
- ✓ Solid steel counterweights—no concrete

BEST CUSTOMER EXPERIENCE

- ✓ Extra big load drum—22+ pound capacity
- ✓ Superior oversuds and unbalance tolerance
- ✓ Large 15" door opening attracts customers

WASHER



DRYER



MODEL NOS:

METERED//CARD READY WASHER

Model No. WHWF09810M (coin)

Model No. WHWF09810DC (card)

METERED DRYER—GAS

Model No. # DAWFOGM

CARD READY DRYER—GAS

Model No. # DAWFOGMDC

METERED DRYER—ELECTRIC

Model No. # DAWFOEM

CARD READY DRYER—ELECTRIC

Model No. # DAWFOEMDC

NOTE: Money boxes are sold separately

- ✓ Heavy-duty door hinge
- ✓ Tinted door glass
- ✓ High speed 300G maximum extraction
- ✓ Simple, easy to use operation

MARKET READY DESIGN

- ✓ Coin and card payment compatibility
- ✓ 3 compartment soap drawer
- ✓ 27" width for easy plug-in top-loader replacement
- ✓ Soft-mount technology for easy installation on any floor
- ✓ Meets ADA regulations

DRYER/DRYER STACK



DRYERS

FEATURES AND BENEFITS

- ✓ Commercial grade construction
- ✓ 22+ lb capacity
- ✓ Built for 40,000+ hours
- ✓ 7.5 cu ft drum
- ✓ Stainless steel fixed lint screen
- ✓ Tapered sealed ribs bring load forward improving dryer performance
- ✓ Axial airflow for efficiency
- ✓ Extra large door and door opening
- ✓ Roller supported cylinder
- ✓ Fast drying

WASHER/DRYER STACK



BEST CUSTOMER EXPERIENCE

- ✓ Axial airflow ensures the shortest drying time
- ✓ Easy clean lint screen
- ✓ Loading and unloading are easy with the extra large door opening
- ✓ Large capacity tumbler can handle oversized loads
- ✓ Won't oversuds—Crossover will complete the cycle

MARKET READY DESIGN

- ✓ Coin and card payment compatibility
- ✓ Space-saving 27" wide design
- ✓ Easy to install
- ✓ Meets ADA regulations

6" BASE AVAILABLE

- ✓ Adjustable leveling legs
- ✓ Machine can rest on top or be bolted to the base

MODEL NOS:

METERED STACKING WASHER AND DRYER—GAS
Model No. WDSGM

CARD READY STACKING WASHER AND DRYER—GAS
Model No. WDSGC

METERED STACKING WASHER AND DRYER—ELECTRIC
Model No. WDSEM

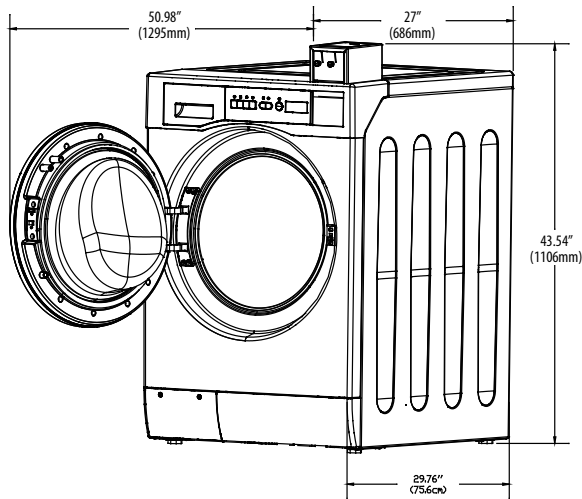
CARD READY STACKING WASHER AND DRYER—ELECTRIC
Model No. WDSEC

METERED DRYER/DRYER STACK—GAS
Model No. DDSGM

METERED DRYER/DRYER STACK—ELECTRIC
Model No. DDSEM

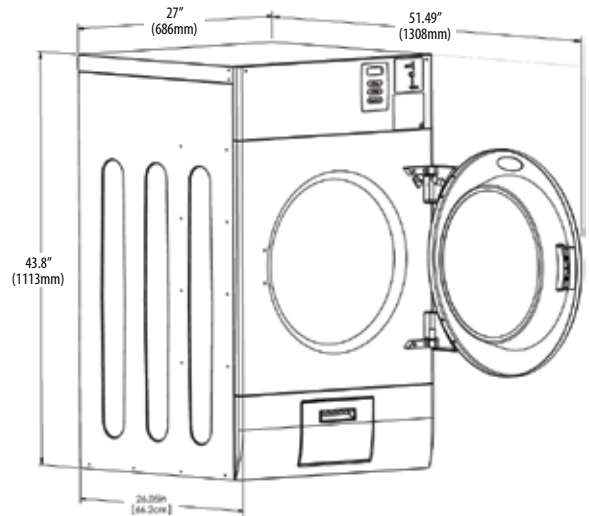
CARD READY DRYER/DRYER STACK—GAS
Model No. DDSGC

CARD READY DRYER/DRYER STACK—ELECTRIC
Model No. DDSEC



CEE TIER III RATED

6" base available



CROSSOVER WASHER SPECIFICATIONS	
Model No.	Metered/Coin WHWF09810M
Model No.	Card Ready WHWF09810DC
Motor	Variable-speed, reversible, thermoprotected, high-efficiency, controlled induction
Electrical Rating	120 V/60 Hz / 1-phase
Breaker Requirement	15A
Cylinder Volume	3.5 cu ft (98 liters)
Cylinder Diameter	21 5/8 in (550 mm)
Cylinder Depth	18 1/4 in (464 mm)
Wash Capacity	22 lbs (10 kg)
Door Opening	15 in (380 mm)
Wash Speed	45 RPM
Maximum RPM*	1,000 RPM
Maximum G-force*	300 G
Inlet Hose	2 3/8 in (hoses included)
Water Pressure	10-90 psi (70-600 kPa)
Drain Hose	1 in (25.4 mm)
Crated Weight	314 lbs (142.7 kg)
Uncrated Weight	299 lbs (136 kg)
Overall Dimensions	W D H: 27 x 33 ³ / ₄ x 39 ³ / ₄ in w/o meter box W D H: 27 x 33 ³ / ₄ x 43 ¹ / ₂ in w/meter box (W D H: 686 x 857 x 1010 mm w/o meter box) (W D H: 686 x 857 x 1106 mm w/meter box)

CROSSOVER DRYER SPECIFICATIONS	
Model No.	Metered/Coin Gas DAWFOGM
Model No.	Card Ready Gas DAWFOGMDC
Model No.	Metered/Coin Electric DAWFOEM
Model No.	Card Ready Electric DAWFOEMDC
Motor	1/3 HP, thermoprotected
Electrical Rating	120V/60Hz
Breaker/fuse Requirements (Gas Heat)	15A
Cylinder Volume	7.5 cu ft (212 liters)
Cylinder Diameter	25 3/4 in (654 mm)
Cylinder Depth	24 in (609 mm)
Capacity (Dry Weight)	22 lbs (10 kg)
Door Opening	17 7/16 in (443 mm)
Airflow	220 cfm (340 m ³ /h)
Gas Heating	26,000 Btu/hr (6,550 kcal/hr)
Gas Connection	3/8 in MNPT
Tumbling Speed	50 RPM
Exhaust Connection	4 in
Crated Weight	171 lbs (77.7 kg)
Uncrated Weight	151 lbs (68.6 kg)
Overall Dimensions	W D H: 27 x 29 7/8 x 44 1/4 in W D H: 685 x 759 x 1118 mm

* NOTE: the correct measurement of extraction efficiency is G-force, not RPM. A higher RPM does not mean greater extraction, which depends on cylinder diameter.

Laundrylux®

866.580.1010 ✓ laundrylux.com/crossover

Email inquiries to crossover@laundrylux.com

Technical questions? Call 516.371.0700

Laundrylux offers a complete line of Electrolux professional and Wascomat commercial laundry equipment.