

# High G-force Washer Extractors

## W4280X, W4350X, W4600X

### Features and benefits

- Available with two types of program controls:
  - Compass Control®** with the following (available on W4280X and W4350X):
    - Customize wash programs to increase productivity and lower costs.
    - Select display language.
    - Reduce operator error by displaying only the programs you use.
    - Large display and one dial for easy program selection.
    - Two Quick Start buttons for frequently used wash programs.
  - Clarus Control:**
    - Fully programmable microprocessor.
    - All relevant wash parameters can be programmed.
    - Programming from keypad or download via memory card.
- AWS – Automatic Weighing System (available on Compass Control models). With every wash cycle, AWS automatically determines the actual weight of the load and adds precisely the right amount of water, significantly reducing water consumption and energy costs. This is a huge money saver.
- Large door opening for easy loading and unloading.
- Super Balance™ software ensures a quick distribution/extraction cycle with low noise/vibration level.
- Heavy-duty construction for demanding applications.
- Efficient frequency-controlled motor reduces peak power demand for significant energy savings.
- Prepared for manual or automatic detergent supply.
- Stainless steel in all vital parts for high degree of rust protection.
- Stainless steel front panels and powder painted side panels.
- Non-heated or direct steam heating.
- Built-in diagnostics and statistics.

### Main options

- Stainless steel panels
- Coin-meter (only W4280X, W4350X)
- Five compartment supply injector (only W4600X)
- Third water inlet valve (only W4600X)



*65, 80, and 135 lb. capacities.*

- *220-300 G-force for speed and performance.*
- *Low energy, water, and chemical consumption*
- *Fast and effective water extraction capacity*
  - *Choice of controls*

### The future of professional laundry is here.

Electrolux is dedicated to providing you with the very best precision-engineered washers, dryers, and flatwork ironers. Production units are certified in accordance with ISO 9001 (Quality) and ISO 14001 (Environmental Management) standards, and products are CE labeled. Take control of your laundry operations with Electrolux Professional Laundry.

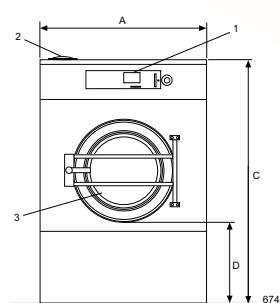
For more information, please visit [www.laundrylux.com](http://www.laundrylux.com)

| Main specifications                 |                       |  | W4280X         | W4350X       | W4600X        |
|-------------------------------------|-----------------------|--|----------------|--------------|---------------|
| Rated capacity, filling factor 1:10 | kg/lb                 |  | 28/65          | 35/80        | 60/135        |
| Drum, volume                        | litre/ft <sup>3</sup> |  | 280/9.9        | 350/12.4     | 600/21.2      |
| diameter                            | ø mm/inch             |  | 830 / 32 11/16 | 920 / 36 1/4 | 980 / 38 9/16 |
| Extraction max                      | rpm                   |  | 805            | 650          | 630           |
| G-factor                            |                       |  | 300            | 220          | 220           |
| Heating alternatives                | steam                 |  | X              | X            | X             |
|                                     | non-heated            |  | X              | X            | X             |

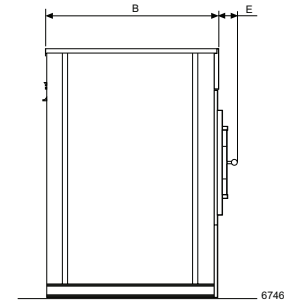
| Electrical connections*           |   | W4280X         | W4350X                                  | W4600X         |  |
|-----------------------------------|---|----------------|---|----------------|--|
| Heating Voltage                   |   |                |   |                |  |
| Steam or non-heated               | 208-240V 1AC 60Hz kW(A)                           | 7.2(15)        | 12(15)                                  | -              |  |
|                                   | 208-240V 3AC 60Hz kW(A)                           | -              | -                                       | 11(15)         |  |
|                                   | 480V 3AC 60Hz kW(A)                               | 4.5(15)        | 6.6(15)                                 | -              |  |
| Water and steam connection        |   |                |   |                |  |
| Water valves                      | DN/inch   | 20 / 3/4       | 20 / 3/4                                | 25 / 1         |  |
| Rec. water pressure               | psi   | 30-90          | 30-90                                   | 30-90          |  |
| Capacity at 300 kPa               | l/min   | 60             | 60                                      | 110            |  |
| Drain valve                       | ø mm/inch   | 75 / 3         | 75 / 3                                  | 75 / 3         |  |
| Steam valve                       | DN/inch   | 15 / 1/2       | 15 / 1/2                                | 20 / 3/4       |  |
| Rec. steam pressure               | psi   | 45-90          | 45-90                                   | 45-90          |  |
| Floor requirements                |   |                |   |                |  |
| Frequency of the dynamic force    | Hz  | 13.4           | 10.8                                    | 10.5           |  |
| Floor load at max extraction      | kN  | 4.9 ± 9.5      | 6.9 ± 10.7                              | 10.0 ± 15.6    |  |
| Sound levels                      |   |                |   |                |  |
| Sound power level (IEC 60704-2-4) | dB(A)   | 75             | 82                                      | 84             |  |
| Heat emission                     |   |                |   |                |  |
| % of installed power, max         |   | 5              | 5                                       | 5              |  |
| Shipping data                     |   |                |   |                |  |
| Weight                            | net, kg/lbs                                       | 380/838        | 560/1235                                | 775/1709       |  |
| Dimensions                        |   |                |   |                |  |
| A                                 | Width   | 935 / 36 13/16 | 1085 / 42 11/16                         | 1145 / 45 1/16 |  |
| B                                 | Depth   | 970 / 38 3/16  | 1105 / 43 1/2                           | 1185 / 46 5/8  |  |
| C                                 | Height  | 1455 / 57 5/16 | 1570 / 61 13/16                         | 1670 / 65 3/4  |  |
| D                                 |   | 515 / 20 1/4   | 530 / 20 7/8                            | 600 / 23 5/8   |  |
| E                                 |   | 120 / 4 3/4    | 120 / 4 3/4                             | 120 / 4 3/4    |  |
| F                                 |   | 400 / 15 3/4   | 525 / 20 11/16                          | 800 / 31 1/2   |  |
| G                                 |   | 55 / 2 3/16    | 55 / 2 3/16                             | 65 / 2 9/16    |  |
| H                                 |   | 1365 / 53 3/4  | 1465 / 57 11/16                         | 1585 / 62 3/8  |  |
| I                                 |   | 230 / 9 1/16   | 185 / 7 5/16                            | 305 / 12       |  |
| J                                 |   | 1325 / 52 3/16 | 1445 / 56 7/8                           | 1540 / 60 5/8  |  |
| K                                 |   | 315 / 12 3/8   | 315 / 12 3/8                            | 75 / 2 15/16   |  |
| L                                 |   | 395 / 15 9/16  | 395 / 15 9/16                           | 215 / 8 7/16   |  |
| M                                 |   | 120 / 4 3/4    | 120 / 4 3/4                             | 105 / 4 1/8    |  |
| N                                 |   | 170 / 6 11/16  | 190 / 7 1/2                             | 570 / 22 7/16  |  |
| O                                 |   | -              | -                                       | 1390 / 54 3/4  |  |
| P                                 |   | -              | -                                       | 50 / 1 15/16   |  |
| 1                                 | Control panel                                     | 6              | Cold or hot water (optional for W4600X) |                |  |
| 2                                 | Soap box (only W4280X, W4350X)                    | 7              | Steam connection                        |                |  |
| 2A                                | Soap box (only W4600X)                            | 8              | Drain                                   |                |  |
| 3                                 | Door opening ø410 (W4280X), ø535 (W4350X, W4600X) | 9              | Electrical connection                   |                |  |
| 4                                 | Cold water  | 10             | Liquid detergent supply                 |                |  |
| 5                                 | Hot water   | 11             | Water reuse                             |                |  |

\* Other voltages available, see installation manual.

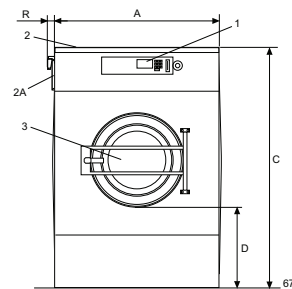
Refer installation and servicing to qualified, licensed personnel. Always read installation and operating manuals and consult local codes before installation. Protect machines with properly rated, common-trip, circuit breakers ONLY. Warranty void if not properly installed. Contact us for more information and for availability of machines for electric services not listed. Specifications subject to change without notice. Laundrylux assumes no responsibility for errors or omissions in this information.



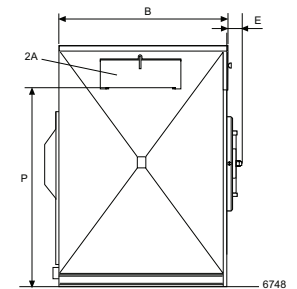
Front W4280X, W4350X



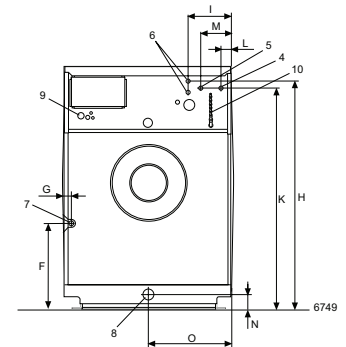
Left side W4280X, W4350X



Front W4600X



Left side W4600X



Rear side W4600X

Call today for information on the full line of Electrolux Professional washers, dryers, ironers, and low-cost financing & leasing.

Thinking of you

**Electrolux**

800.381.7222 • www.laundrylux.com

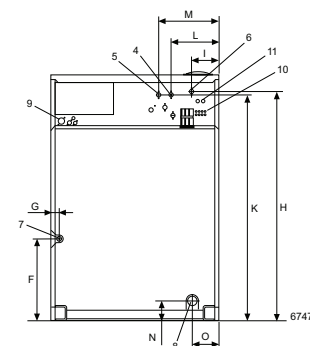
Laundrylux® • 461 Doughty Blvd., Inwood, NY 11096-0338

Sales and Administration – Tel: 516-371-4400 • Fax: 516-371-4204 • e-mail: sales@laundrylux.com

Spare Parts – Tel: 516-371-2000 • Fax: 516-371-4029 • e-mail: parts@laundrylux.com

Technical Support – Tel: 516-371-0700 • Fax: 516-371-4029 • e-mail: service@laundrylux.com

En Mexico: Llame gratis a este numero 001-800-010-1010



Rear side W4280X, W4350X